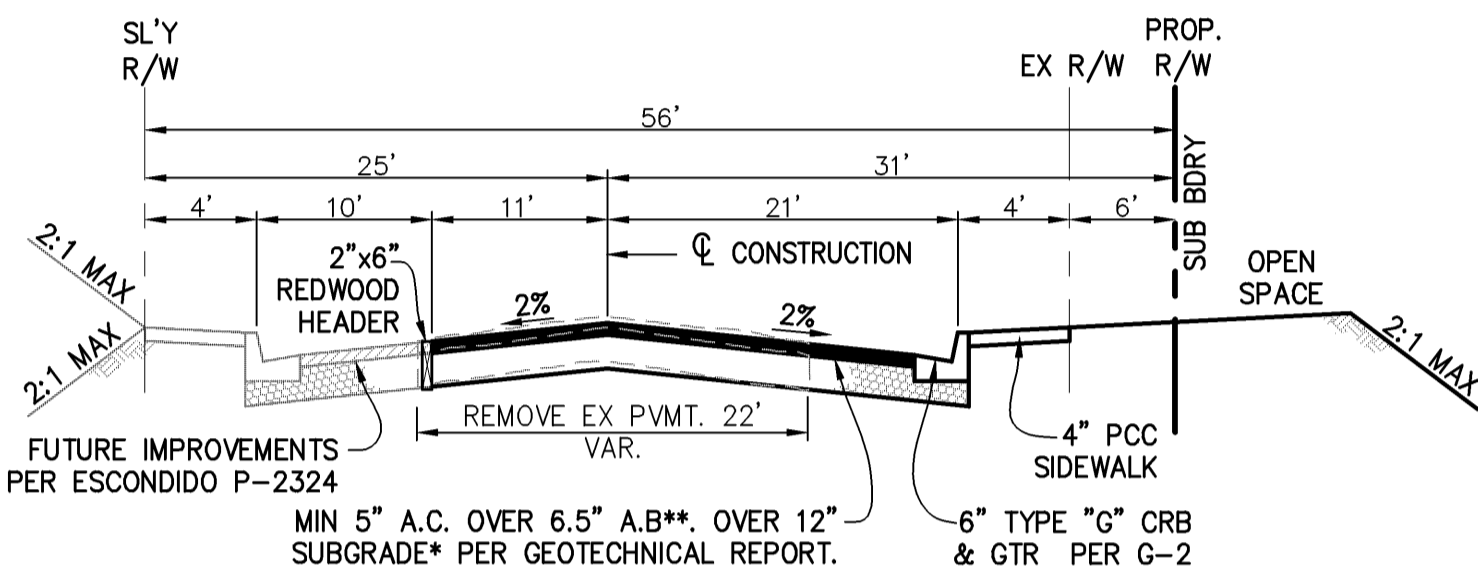
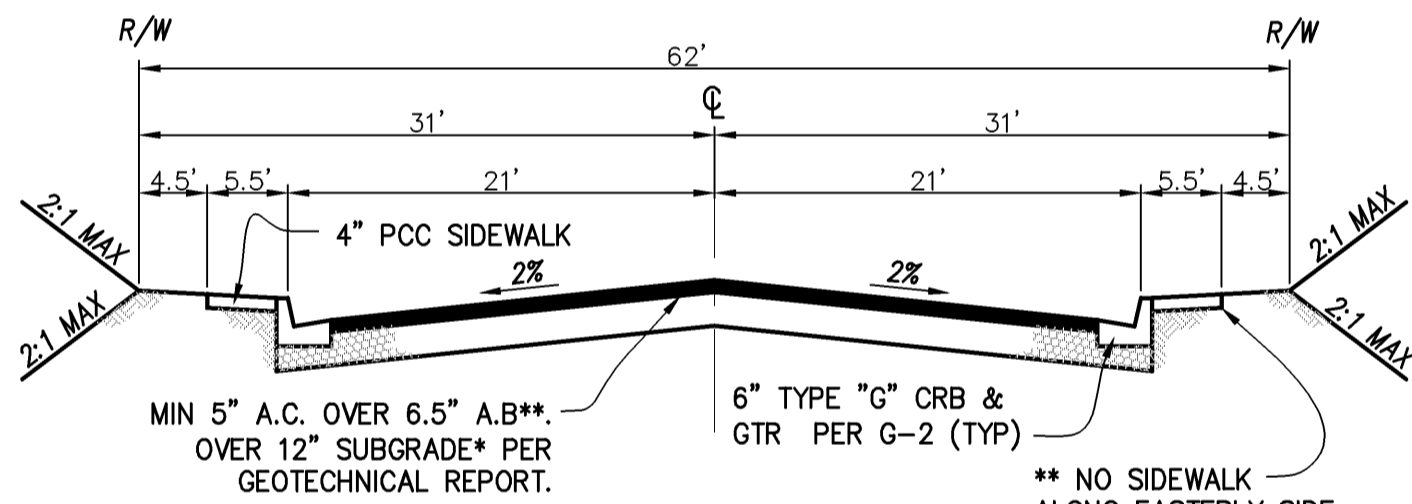


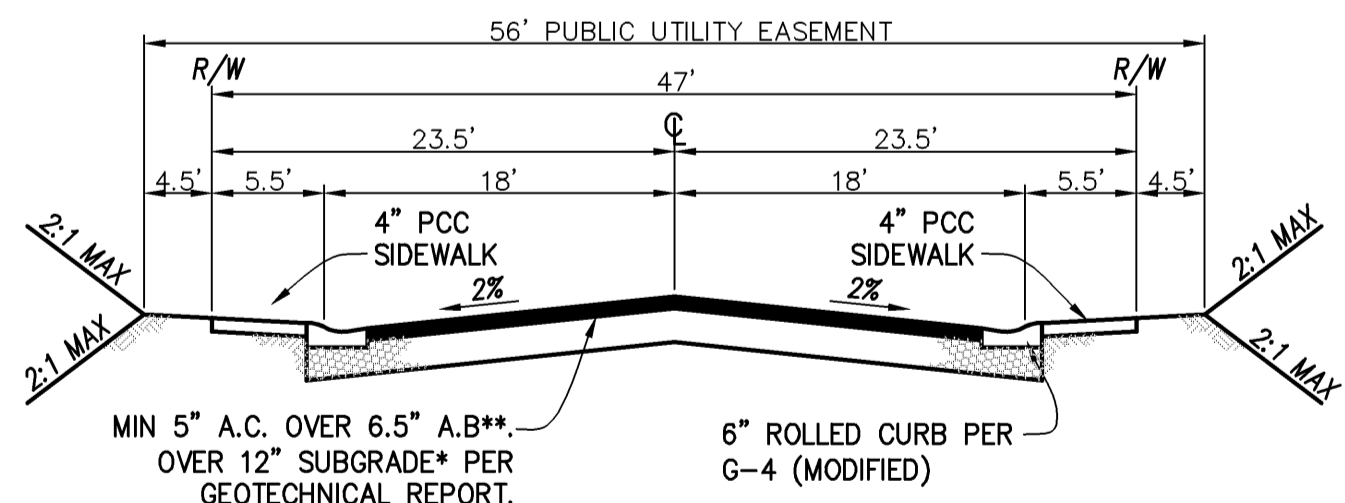
**RINCON AVE (PUBLIC)**  
FROM WLY PROPERTY LINE TO NORTH AVE



**RINCON AVE (PUBLIC)**  
FROM NORTH AVE TO E'LY PROPERTY LINE

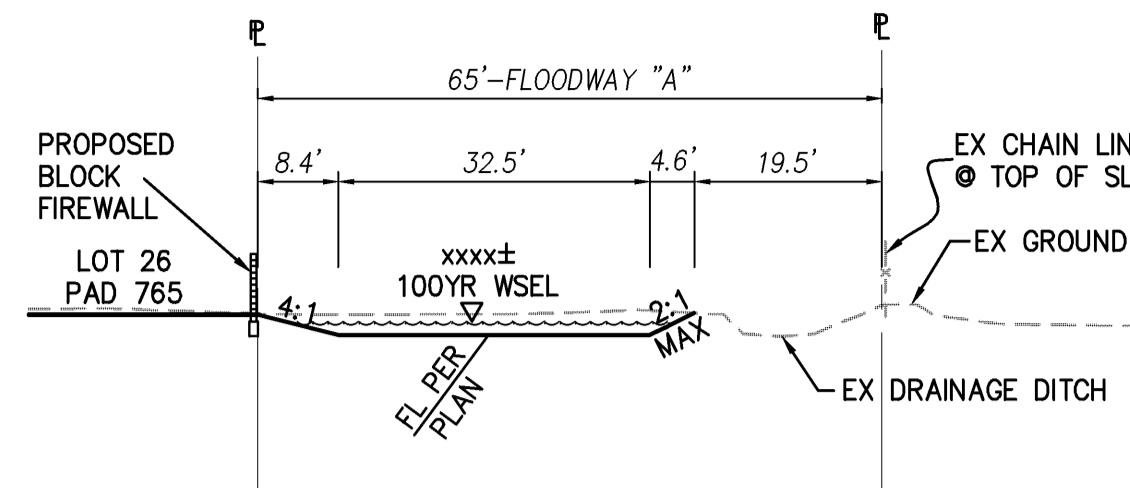


**NORTH AVE (PUBLIC)**  
FRONTING APN 187-370-30  
APN 187-370-31  
APN 187-370-01

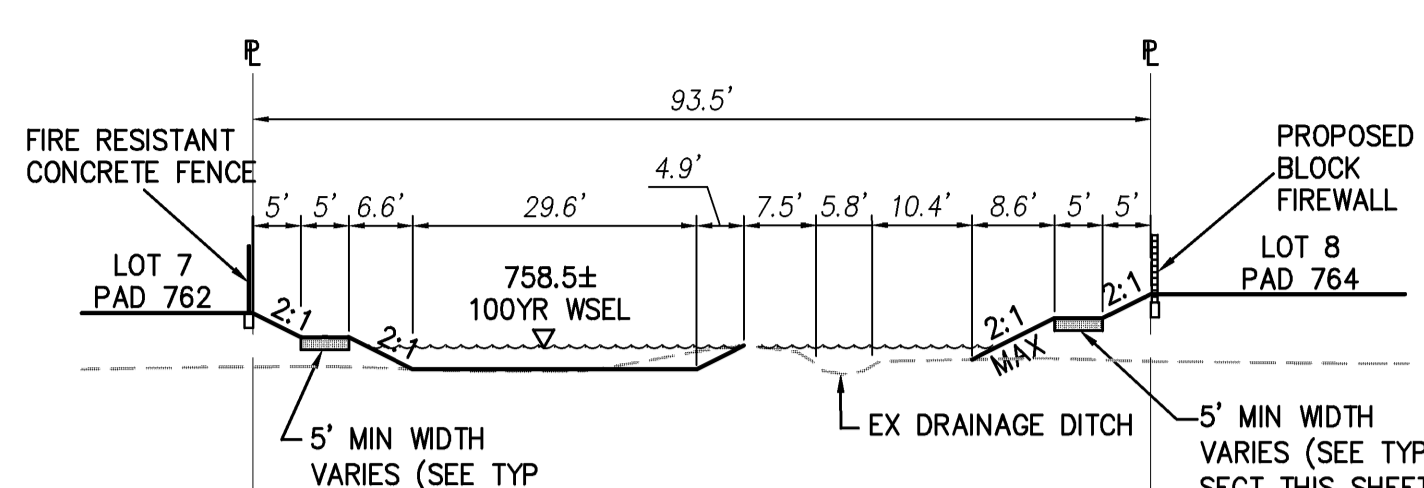


**PRESTON GLEN (PRIVATE)**  
**KALANI GLEN (PRIVATE)**  
**KIMMY GLEN (PRIVATE)**

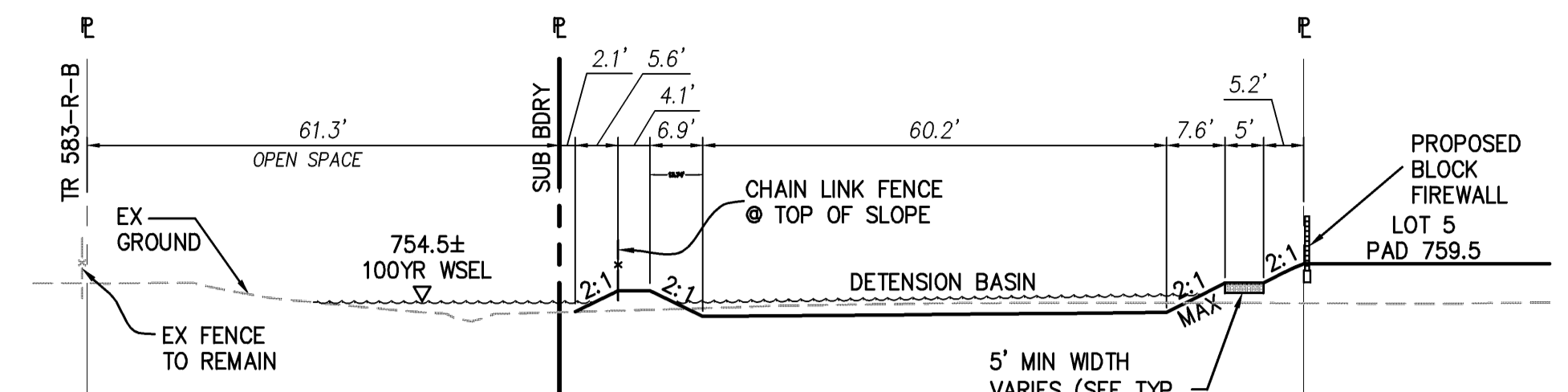
**TYPICAL STREET SECTIONS**



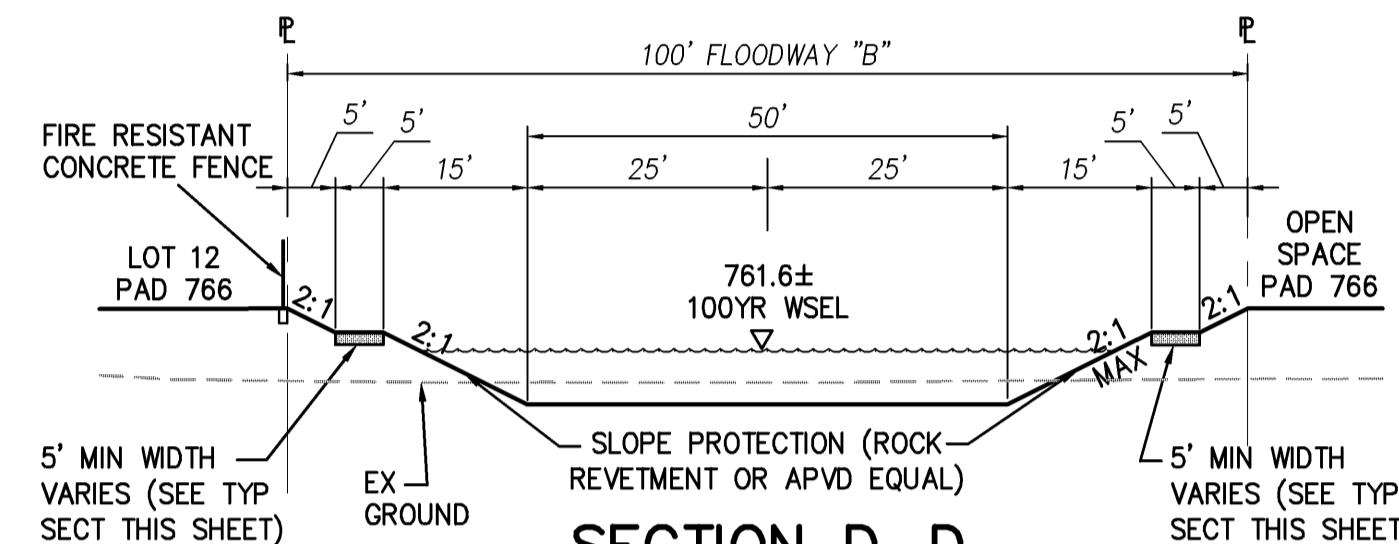
**SECTION A-A**  
NTS



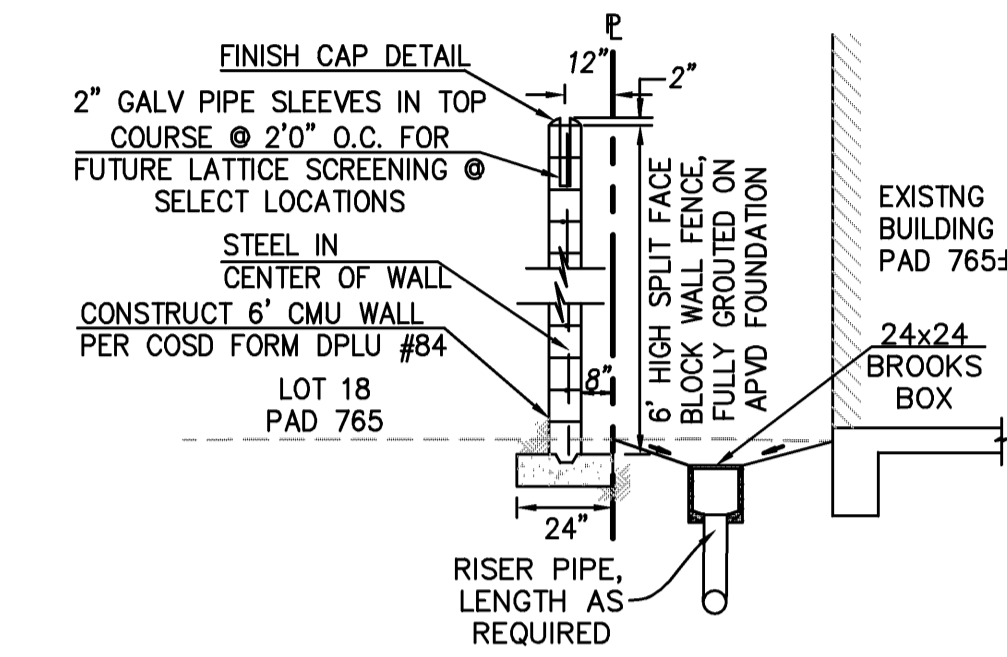
**SECTION B-B**  
NTS



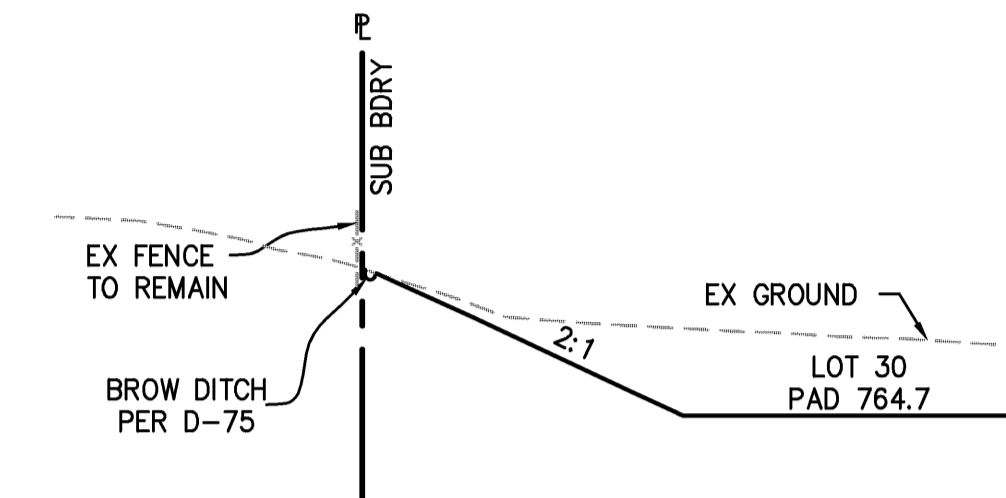
**SECTION C-C**  
NTS



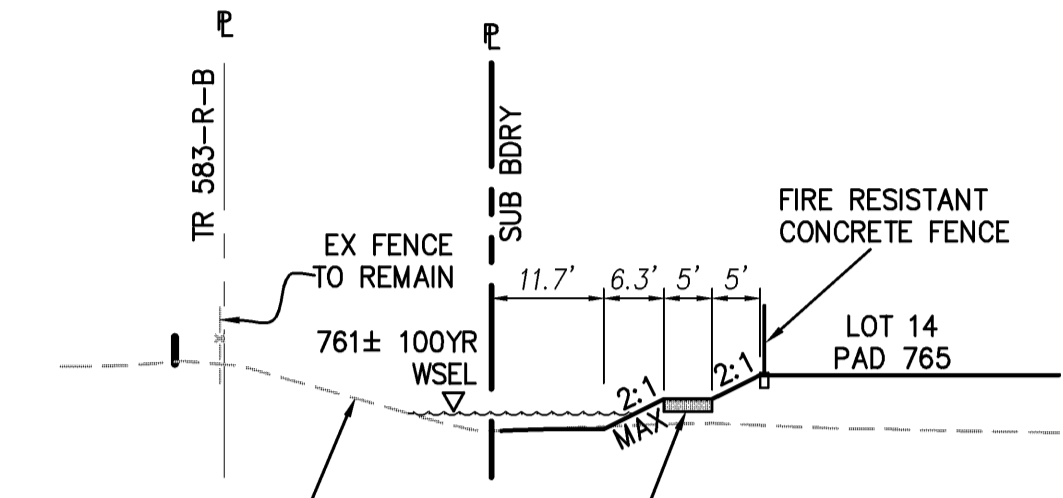
**SECTION D-D**  
NTS



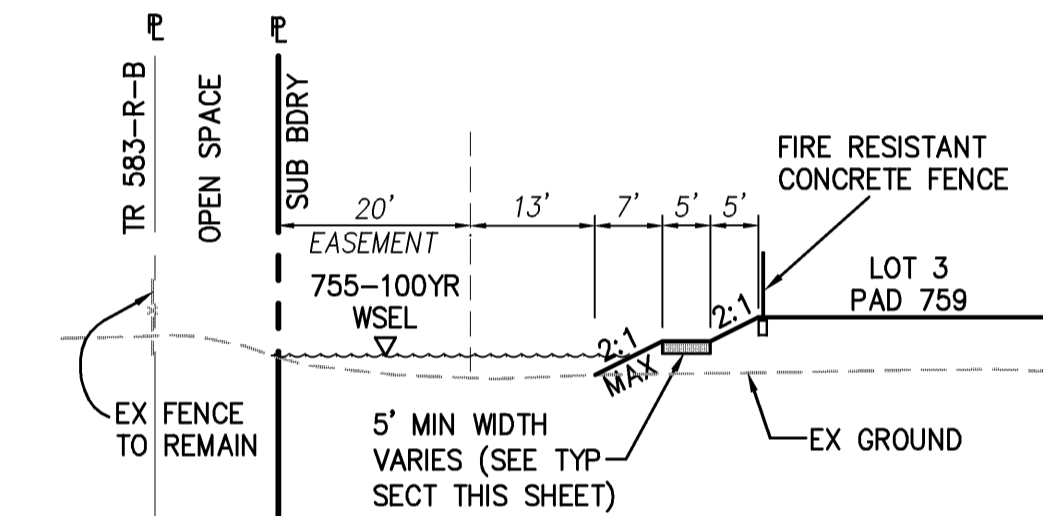
**SECTION E-E**  
NORTHERLY WALL @ LOTS 18 & 19 (NTS)



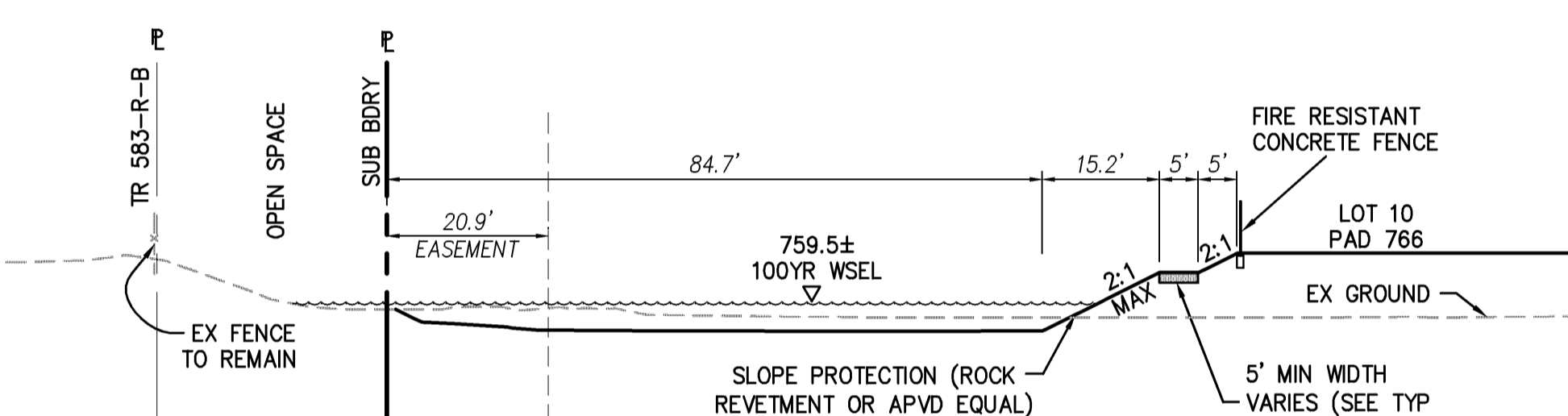
**SECTION F-F**  
NTS



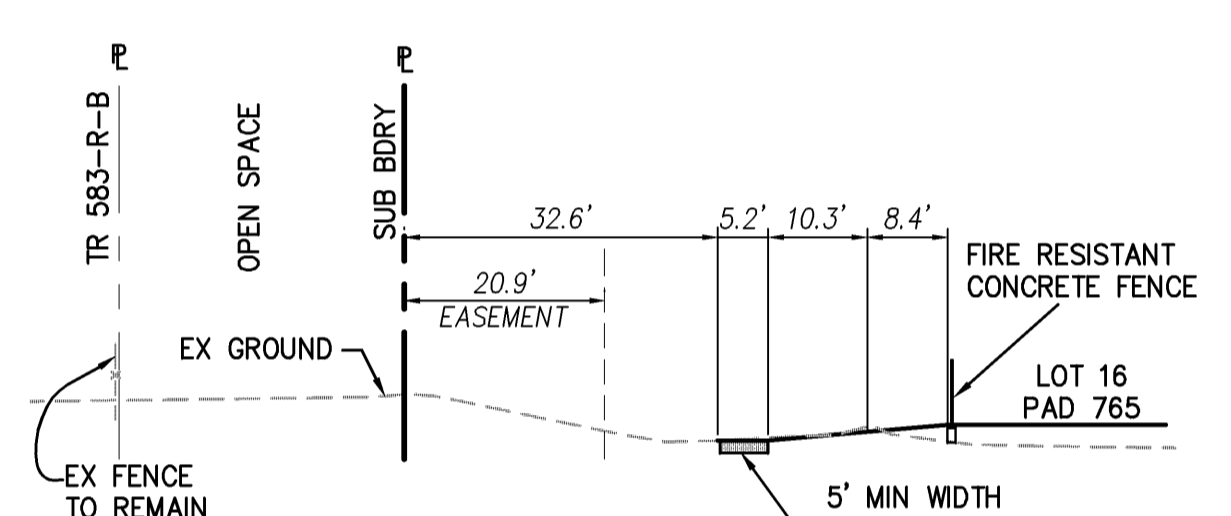
**SECTION G-G**  
NTS



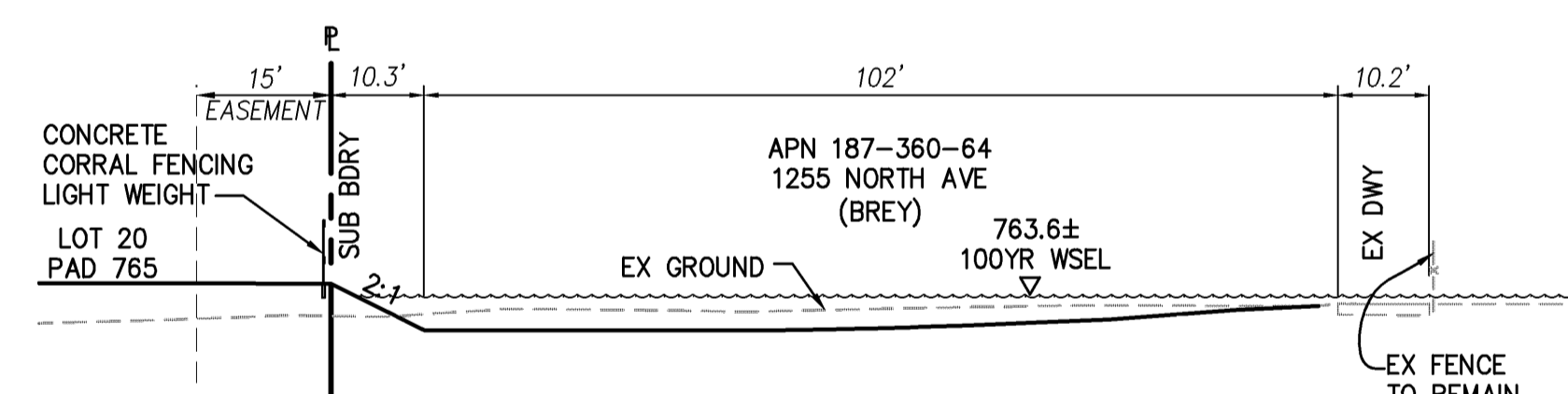
**SECTION H-H**  
NTS



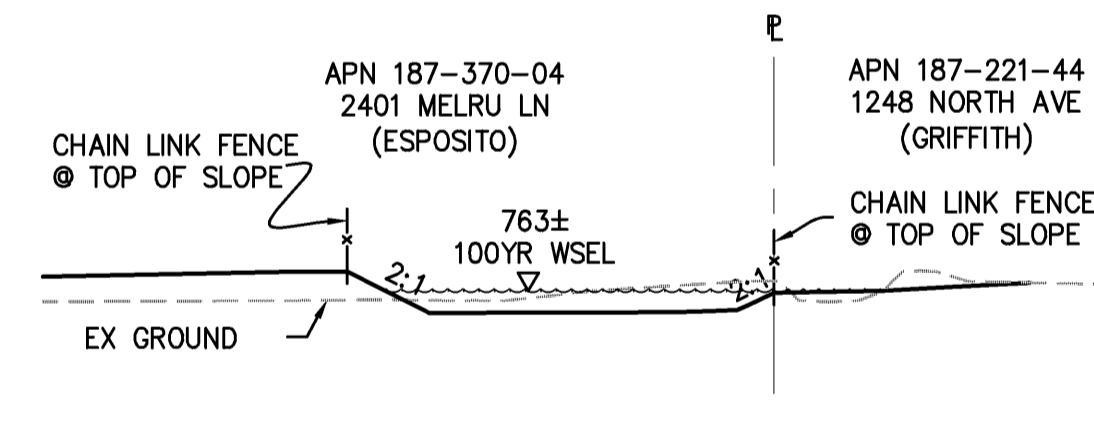
**SECTION I-I**  
NTS



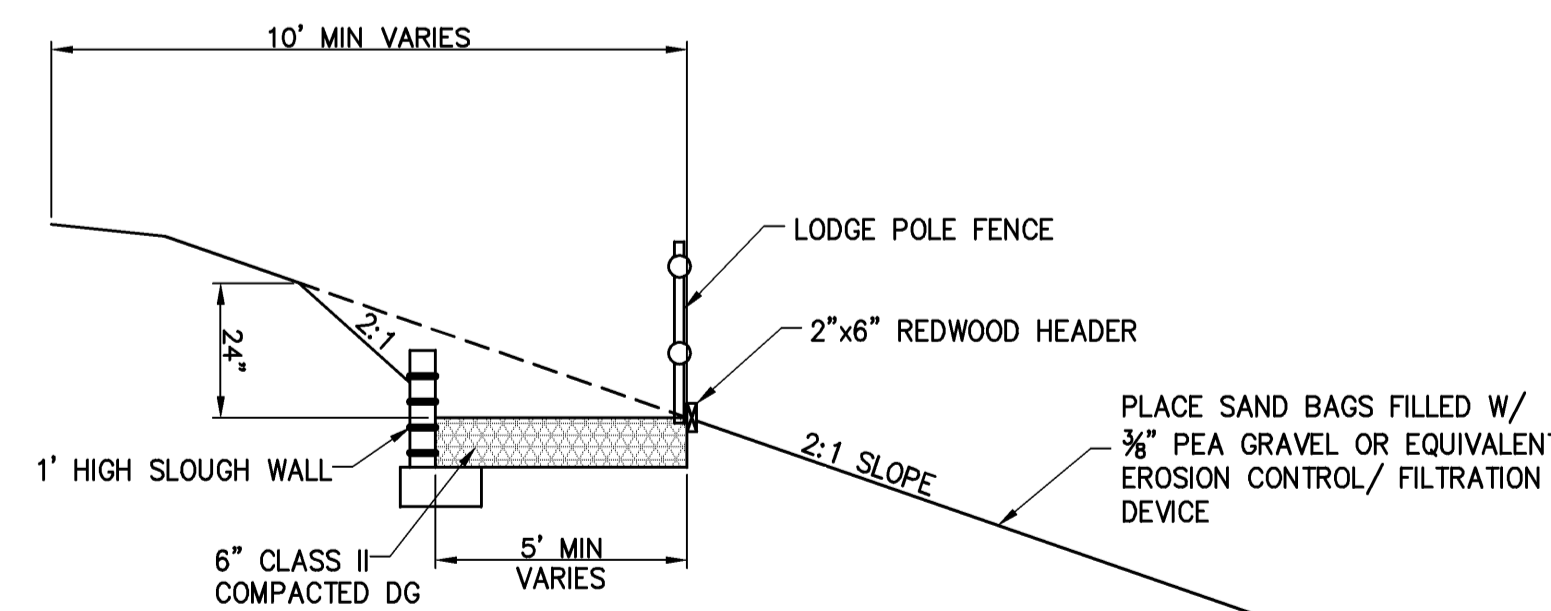
**SECTION J-J**  
NTS



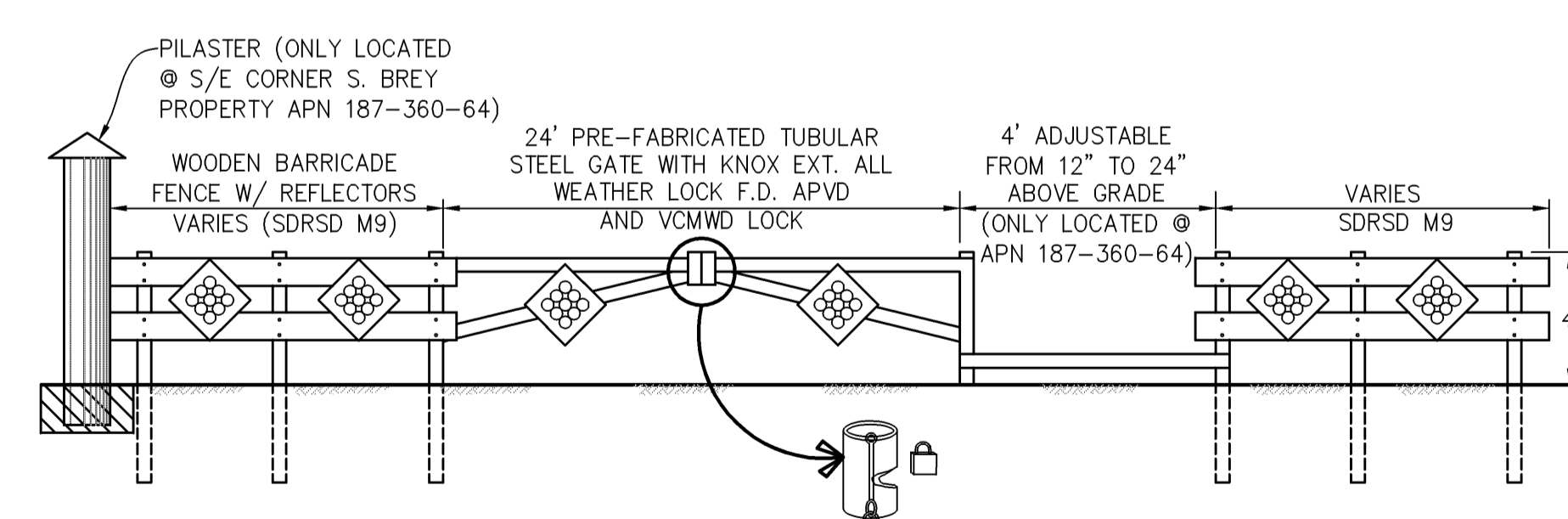
**SECTION K-K**  
NTS



**SECTION L-L**  
NTS

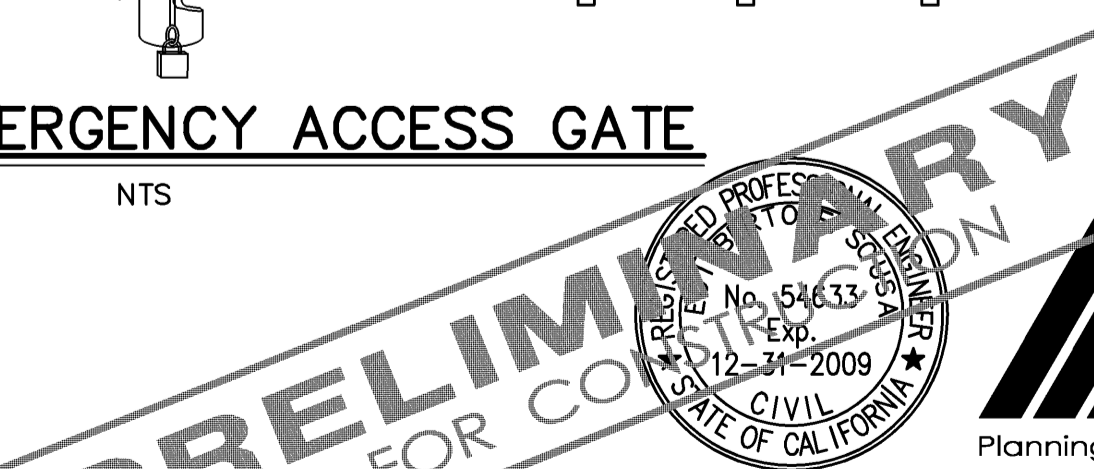


**WALKWAY/TRAIL SECTION**  
ALONG FLOODWAYS TYP (NTS)



**DETAIL - EMERGENCY ACCESS GATE**  
NTS

**SITE CROSS SECTION & DETAILS**  
SEE SHEETS 3 & 4



CONSTRUCTION RECORD	REFERENCES	Date	By	REVISIONS	App'd	Date	BENCH MARK	EARTHWORK QUANTITIES	SCALE	Office	Designed By	Drawn by	Checked By	CITY OF ESCONDIDO	DEPT. OF PUBLIC WORKS	Drawing No.
Contractor							DESCRIPTION: BM NO. 648 CHISELED [X] SOUTHWEST CORNER RINCON AVE AND CREEK HOLLOW PLACE ON TOP OF CURB 5' FROM CENTER OF WHEELCHAIR RAMP. RECORD FROM: CITY OF ESCONDIDO BENCHMARKS ELEVATION: 752.74 - NGVD 1929	CUT: C.Y. FILL: C.Y. BALANCE: C.Y.	Horizontal N/A Vertical N/A		DAM	DAM	FFS	GRADING & EROSION CONTROL PLANS FOR: ESCONDIDO TR. NO. 892 RINCON OAK		GP-
Inspector											Plans Prepared Under Supervision Of: For Masson & Associates, Inc.			SECTIONS AND DETAILS		Sheet 2 of 8
Date Completed											EDILBERTO F. SOUSA		R.C.E. No. 54633			